

Service  
Service  
**Service**



# Service Manual



**Introduction of MRD260/22**

For Service documentation please refer to:  
Service Manual LX3600D 3139 785 3037x

MRD260/22 refers to LX3600D/22 except:

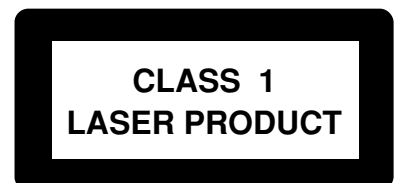
1. Mechanical facelift & Accessories
2. Mono AV Board  
7611 9965 000 22543 M29W160ET-70N6 / MRD260 ver 27

The new Exploded view drawings, mechanical and accessories parts are attached.

© Copyright 2003 Philips Consumer Electronics B.V. Eindhoven, The Netherlands  
All rights reserved. No part of this publication may be reproduced, stored in a retrieval system or transmitted, in any form or by any means, electronic, mechanical, photocopying, or otherwise without the prior permission of Philips.

Published by KC 0337 Service Audio Printed in The Netherlands Subject to modification

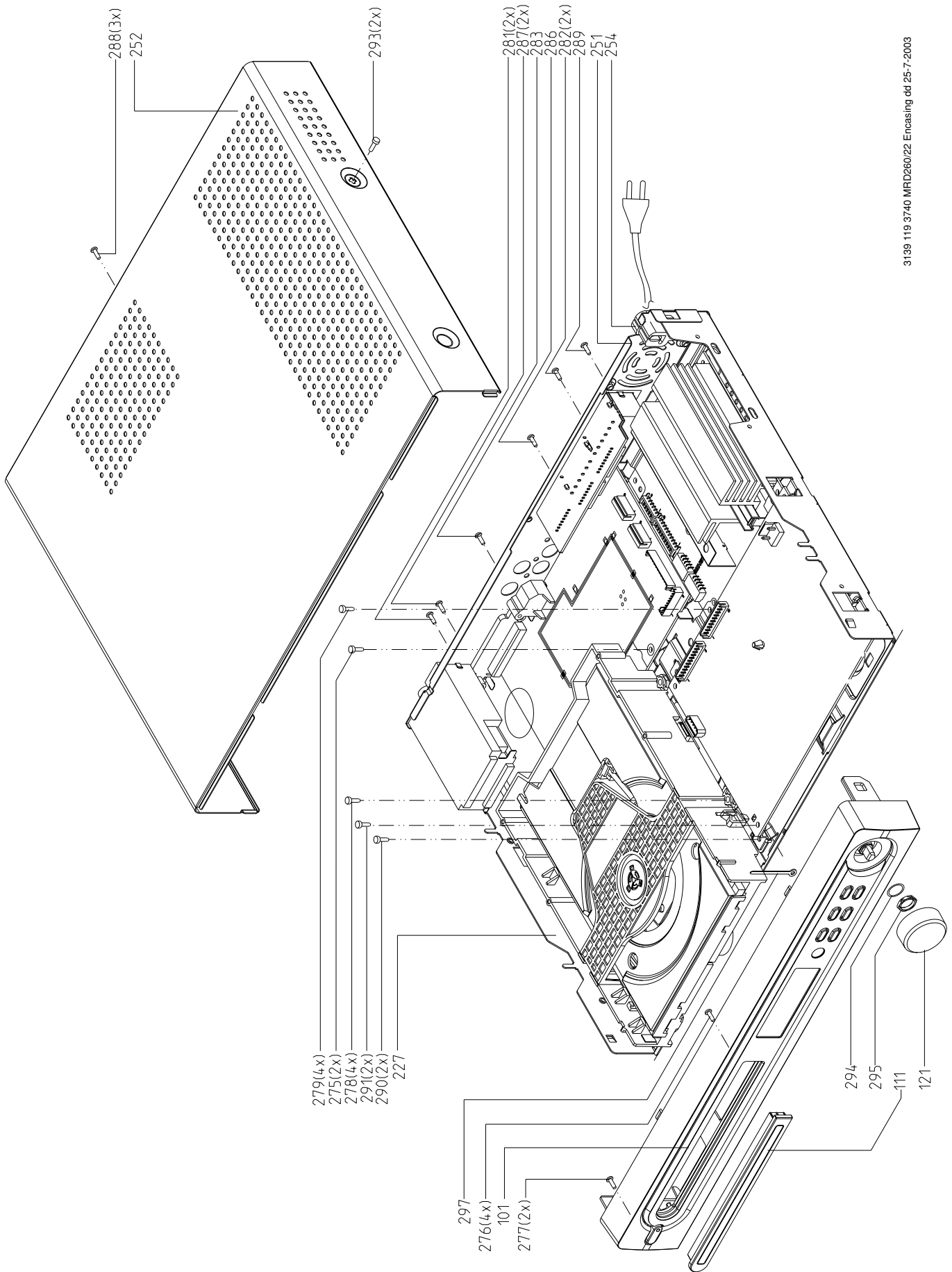
Version 1.1



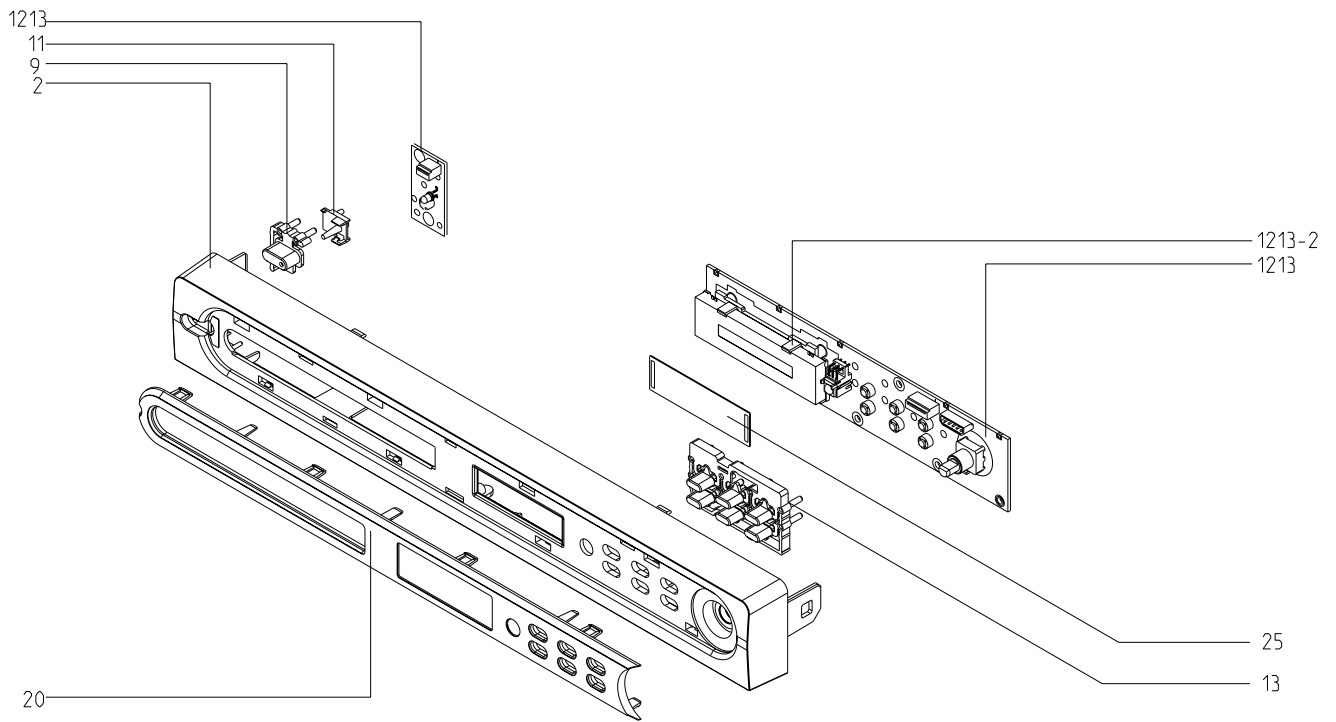
3139 785 30501

# PHILIPS

# MAIN ENCASING EXPLODED VIEW

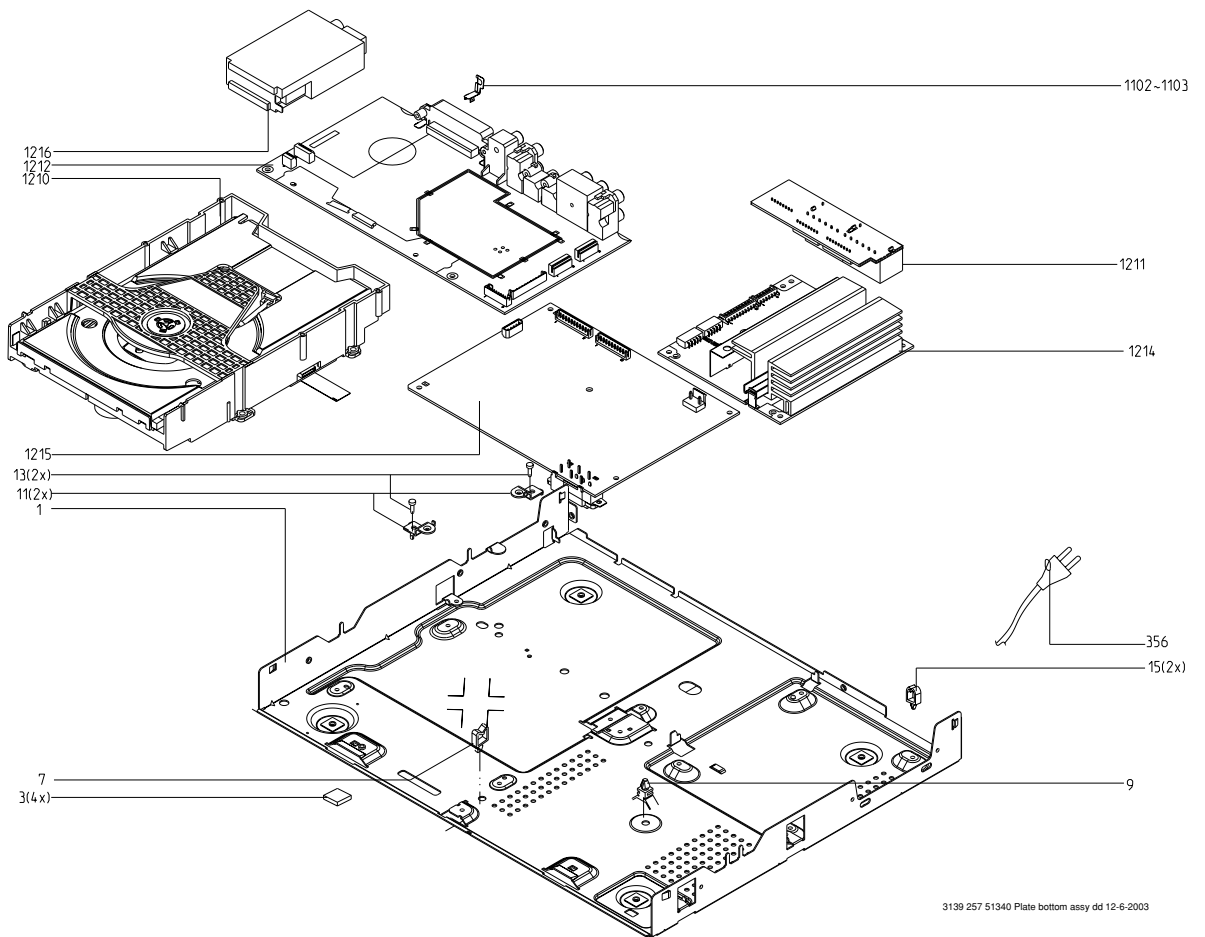


# FRONT CABINET ASSY EXPLODED VIEW



3139 257 51380 Front cabinet assy dd 25-7-2003

# BOTTOM PLATE ASSY EXPLODED VIEW



3139 257 51340 Plate bottom assy dd 12-6-2003

MAIN ENCASING & ACCESSORIES PARTS LIST

111	3139 114 79651	Cover Tray DVD
121	3139 114 79631	Knob Volume
254	4822 532 60948	Bush, Mains cord
345	3139 119 02231	Subwoofer Box SW260/00 Mgx
346	3139 119 02331	Satellite LS Box Package Mgx

351	2422 076 00546	FM Antenna Wire
352	2422 549 45386	AM Loop Antenna
353	3139 258 70001	Remote Control MRD260
363	2422 076 00468	Scart Cable 1,1M 21P
370	3139 115 22771	Instruction For Use

8521	3139 110 34580	Flex Cable 4P 28cm AD
8531	3139 111 03671	Flex Cable 10P 14cm AD
8532	3139 111 03671	Flex Cable 10P 14cm AD
8540	3139 110 35390	Flex Cable 8P 48cm BD
8580	3139 110 35911	Flex Cable 11P 10cm BD

MAIN ENCASING SCREW LIST

275	M3 x 8
276	D3 x 8
277	D3 x 8
278	M3 x 8
279	M3 x 8

280	M3 x 8
281	M3 x 8
282	D3 x 8
283	D3 x 8
286	D3 x 8

287	D3 x 8
288	M3 x 8
289	M3 x 8
293	M3 x 6

FRONT CABINET ASSEMBLY PARTS LIST

2	3139 114 79661	Cabinet Front
9	3139 257 51231	Button Power/Standby
11	3139 114 79541	Lightguide Standby
13	3139 257 51271	Button Set Control
20	3139 114 79641	Window Display

BOTTOM PLATE ASSEMBLY SCREW LIST

13	M3 x 6
----	--------

BOTTOM PLATE ASSEMBLY PARTS LIST

3	3139 243 10080	Cushion Foot
9	8204 055 76161	Spacer Locking KGLS-4S
356	2422 070 98231	△ Main Cord IEC 2A5 1,8M
1210	3141 018 03810	DVD Loader A97SL
1215	3122 429 00191	PSU Board Euro
1216	2422 542 90137	Tuner Module A+F ENG07703Q EUR

SATELLITE LS PACKAGE BREAKDOWN PARTS

9965 000 21418	Front Speaker Box Left
9965 000 21419	Front Speaker Box Right
9965 000 21429	Rear Speaker Box Left
9965 000 21430	Rear Speaker Box Right
9965 000 21431	Center Speaker Box

Note: Only the parts mentioned in this list are normal service spare parts.

**REVISION LIST**

**Version 1.0**

- \* Initial release

**Version 1.1**

- \* Correction of part code for item 7611 on the Mono AV Board.